

DENALI

EXTREME LED LIGHTING BY TWISTED THROTTLE

Dual DM Light Mount

BMW R1200GS LC

LAH.07.10000



PLEASE READ BEFORE INSTALLING

TWISTED THROTTLE products should be installed by a qualified, experienced motorcycle technician. If you are unsure of your ability to properly install a product, please have the product installed by your local motorcycle dealer. TWISTED THROTTLE takes no responsibility for damages caused by improper installation.

Medium strength liquid thread-locker (i.e., "Loctite") should be used to secure all screws, bolts, and nuts.

All screws, bolts, and nuts should be checked after driving the first 30 miles (50 km) to ensure that all are tightened to the proper torque.

All screws, bolts, and nuts, including all replacement hardware provided by TWISTED THROTTLE should be tightened to the torque specified in the OEM maintenance manual for your motorcycle. If no torque specifications are provided in the OEM maintenance manual, the following torques may be used:

M5.....	3.5 ft-lbs (5 Nm)
M6.....	6.5 ft-lbs (9 Nm)
M8.....	16 ft-lbs (22 Nm)
M10.....	32 ft-lbs (43 Nm)
M12.....	55 ft-lbs (75 Nm)

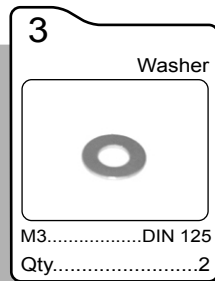
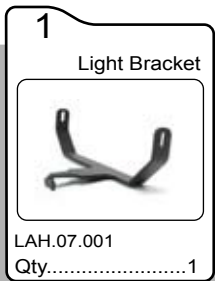


Instruction Rev: 00

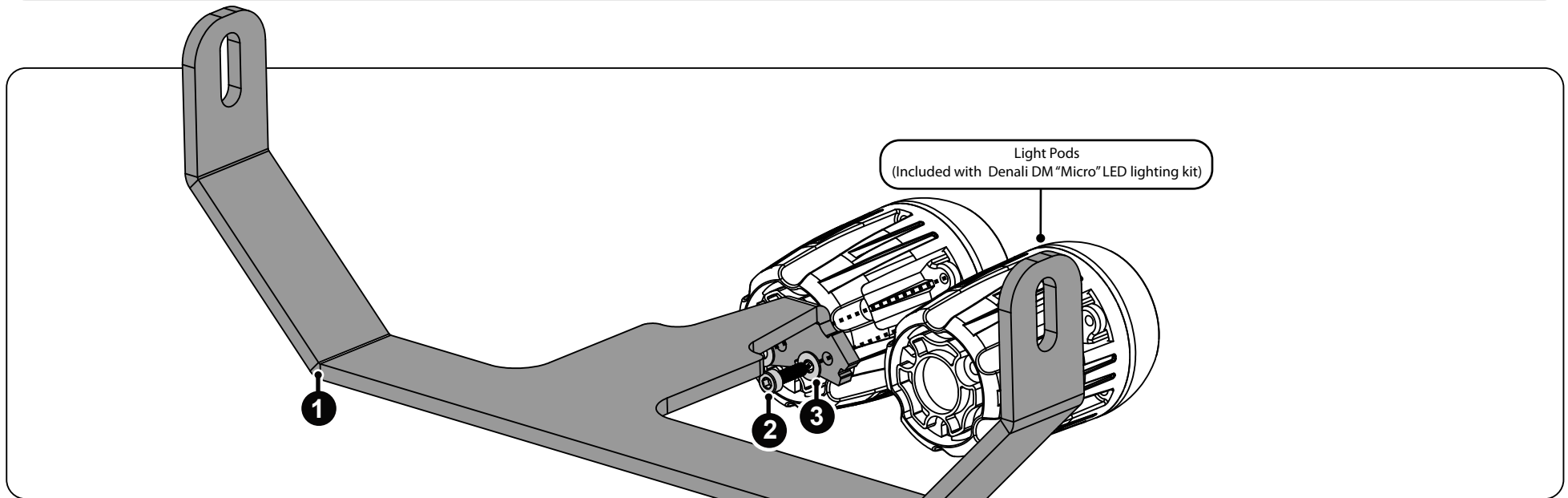
Twisted Throttle LLC
570 Nooseneck Hill Rd
Exeter, RI 02822

Phone: 401.284.4200
Fax: 401.223.6954
www.twistedthrottle.com

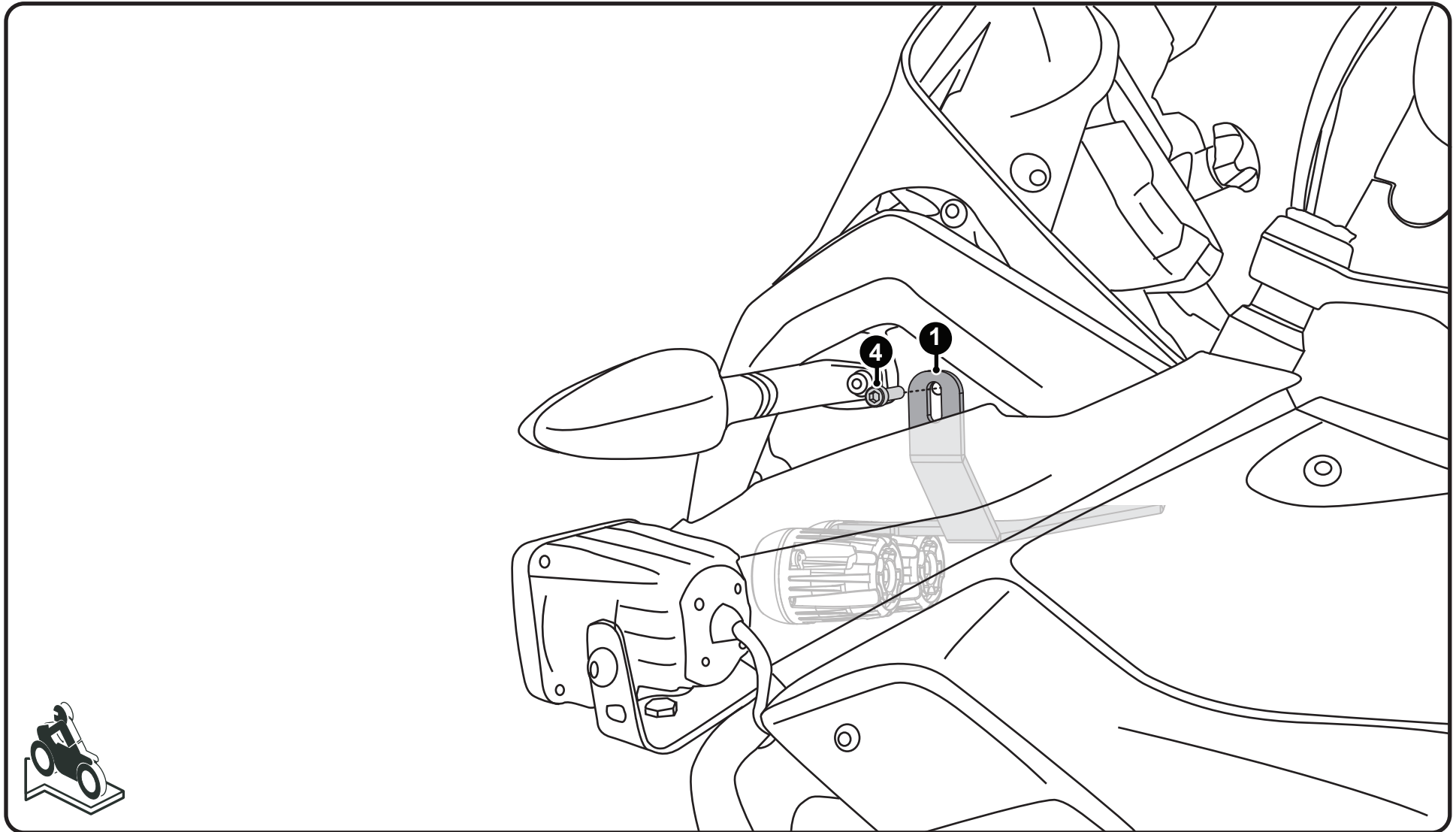
Step 1



Step 2



Step One: Attach your two Denali DM pods to the light bracket (#1) using the included M3 Screws (#2) and washers (#3).



Step Two: Remove the two original bolts that mount to the headlight housing behind the turn signals. Slide the mount with lights installed into position from under the front fender, this can be done without removing any plastics from the bike. Once in place, use the M6 screw (#4) to secure the bracket to the headlight housing. Do not fully tighten at this time.

Step Three: Turn on the power to your Denali DM lights to aid in aiming the beam of light. Adjust the direction of your light beam by sliding the bolt up and down in the slot of the bracket, and by swing the bracket either forwards or backwards. Once correctly aimed tighten all bolts and be sure that you can turn your handlebars lock to lock with out interfering with the bracket or wires.