



D7 PRO LED Driving Light Pod DNL.D7P.050

Thank you for choosing DENALI

We know you would rather be riding your bike than wrenching on it, so we go the extra mile to make sure our instructions are clear and as easy to understand as possible. If you have any questions, comments, or suggestions don't hesitate to give our gear experts a call at 401.360.2550 or visit WWW.DENALIELECTRONICS.COM

Please Read Before Installing

DENALI products should always be installed by a qualified motorcycle technician. If you are unsure of your ability to properly install a product, please have the product installed by your local motorcycle dealer. DENALI takes no responsibility for damages caused by improper installation. **Caution:** When installing electronics it is extremely important to pay close attention to how wires are routed, especially when mounting products to the front fender, front forks, or fairing of your motorcycle. Always be sure to turn the handlebars fully left, fully right, and fully compress the suspension to ensure the wires will not bind and have enough slack for your motorcycle to operate properly.

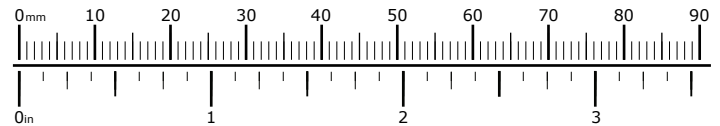
Installation Tips

We strongly recommend using medium strength liquid thread locker on all screws, nuts, and bolts. It is also important to ensure that all hardware is tightened to the proper torque specifications as listed in your owner's manual. For included accessory hardware please refer to the default torque specifications provided below. Inspect all hardware after the first 30 miles to ensure proper torque specifications are maintained.

Bolt Size	in-lbs	ft-lbs	Nm
M3	10.0 in-lbs	-	1.0 Nm
M4	23.0 in-lbs	-	2.5 Nm
M5	44.5 in-lbs	3.5 ft-lbs	5.0 Nm
M6	78.0 in-lbs	6.5 ft-lbs	9.0 Nm
M8	-	13.5 ft-lbs	18.0 Nm
M10	-	30.0 ft-lbs	41.0 Nm
M12	-	52.0 ft-lbs	71.0 Nm

Hardware Sizing Guide

Not sure what size bolt you have? Use this ruler to measure screws, bolts, spacers, etc. Remember, the length of a screw or bolt is measured from the start of the "mounting surface" to the end of the screw, so only include the screw head when measuring countersunk screws.



What's In The Box?



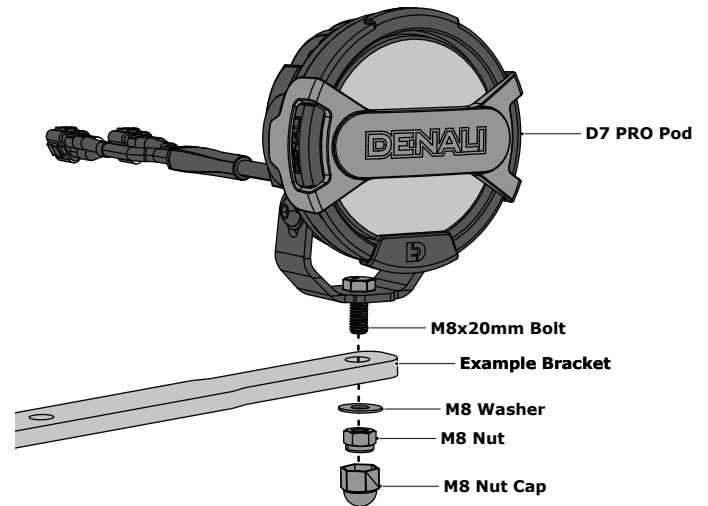
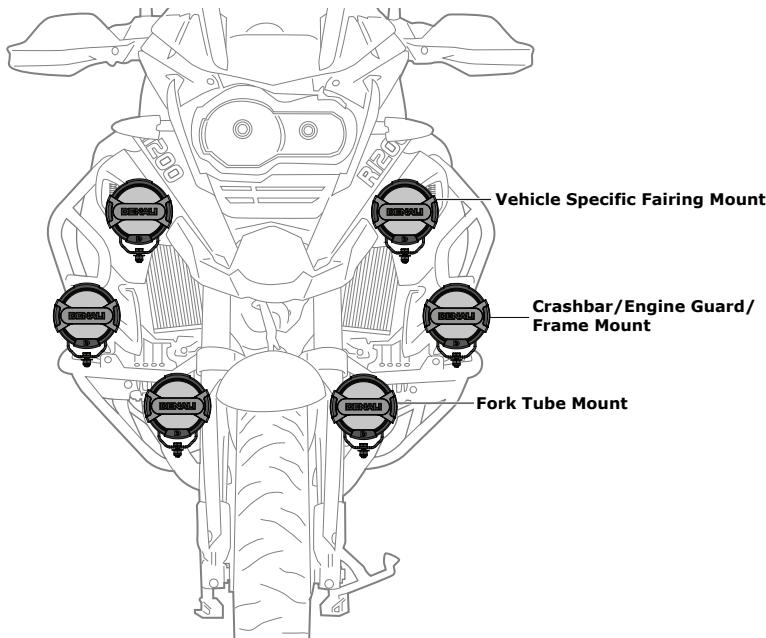
Kit Contents

- (a) D7-Pro Light Pod.....Qty 1
- (b) X-Lens™.....(Clear,Amber,Yellow).....Qty 3
- (c) Spot Lens.....(Installed).....Qty 1
- (d) Wiring Pigtail.....Qty 1
- (e) 2-into-1 Wiring Adapter.....Qty 1

- (f) M8 Nut Cap.....Qty 1
- (g) M8 Nyloc Nut.....Qty 1
- (h) M8 Washer.....Qty 1
- (i) M8 x 20mm Hex Head Bolt.....Qty 1

Tools Required: 13mm Wrench, 5mm Allen Key, 3mm Ball End Allen Key

1. Mounting The Lights



1.1 - Choosing The Mounting Location

DENALI offers dozens of universal and vehicle specific light mounts. To determine the best mounting location consider the following tips. For maximum beam distance at night, mount the lights higher up. For maximum day time visibility, mount the lights down low to increase your overall lighting footprint. To create the optimum lighting and visibility package, mount one pair of long distance spots up high for night time distance and one pair of flood or hybrid lights down low for day time visibility and night time fill.

Check out our full mounting application chart at DENALIELECTRONICS.COM to see all the mounting options available for your vehicle.

1.2 - Mounting The Light

Step One: Use a 13mm wrench and the included M8 Bolt, washer, and nut to attach the pods to the mounting bracket.

Step Two: Use the M8 plastic nut cap to cover the nut and exposed thread.

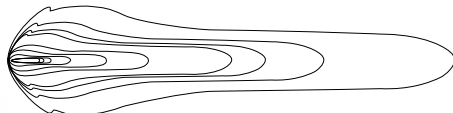
Note: The light pod should be mounted in a vertical orientation to properly display the fluted center fog beam but can be hung inverted as well. The Bezel can be rotated when hanging the pod in an inverted position, this will allow the logos to always read right side up. Using a 3mm ball-end allen wrench remove the 4 socket head screws in the back of the bezel and reinstall the bezel rotated 180°. Once installed, snap the X-Lens™ back on with the logo right side up.

2. X-Lens™ Beam Options

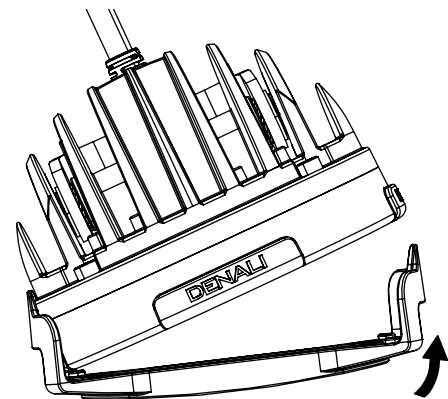
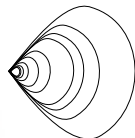
Spot Beam - All On No X-Lens™



Hybrid Beam - All-On w/ X-Lens™



Flood Beam - Center w/ X-Lens™



2.1 - Beam Options

This LED light pod includes an installed spot lens as well as 3 different colored snap on X-lenses™ in Clear, Amber and Selective Yellow. Use the spot lens alone for maximum distance. Using the spot and X-Lens™ Beams together creates a Hybrid that adds some additional close range fill while maintaining distance. Use the X-Lens™ on the center optics alone to create a flood beam.

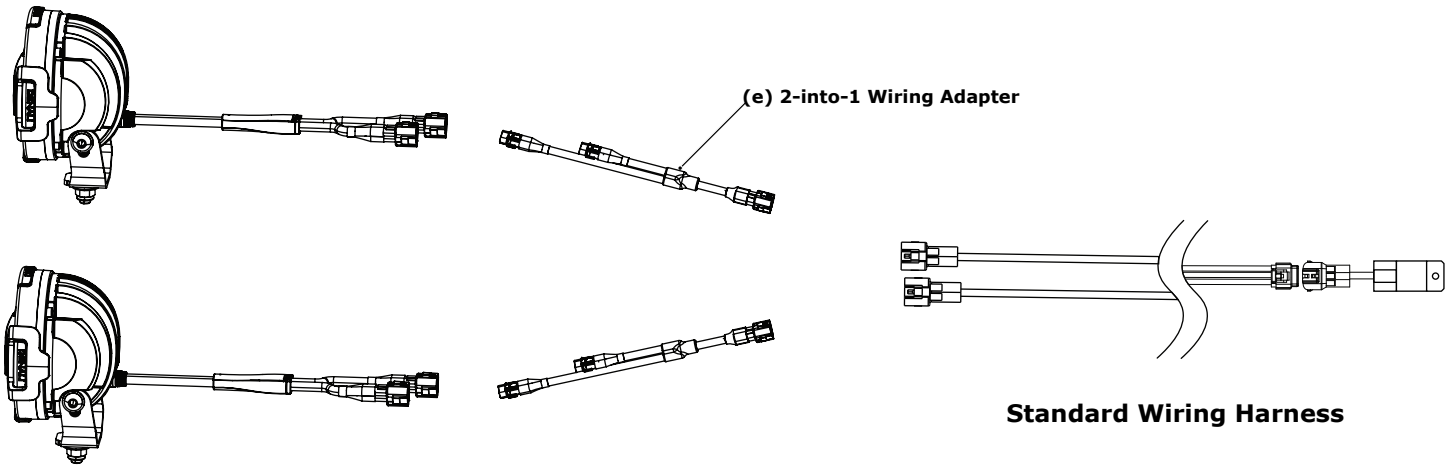
The amber and selective yellow color of the lenses increases visibility in fog and rain by reducing the amount of blue and white light, which reflect off water vapor and decrease vision.

2.2 - Installing The X-Lens™

Step One: Attach one side of the X-lens™ by hooking the inner edge of the arm over the bump on the side of the bezel.

Step Two: Rotate the other arm across the center of the light and snap it onto the bump on the opposite side of the bezel securing it in place.

3. Single Circuit Control

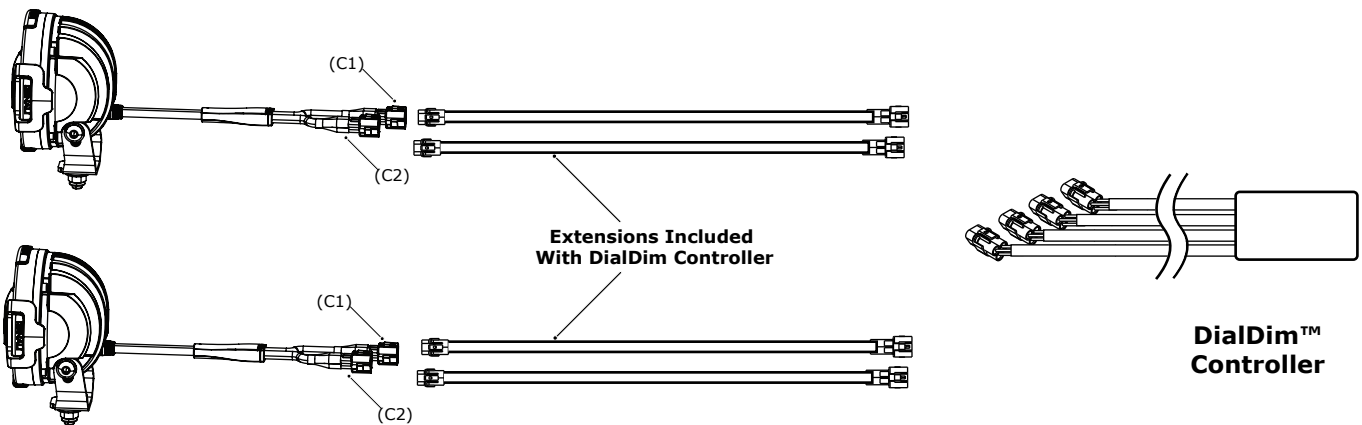


3.1 - Single Circuit Wiring

The DENALI D7-PRO can be wired for single circuit control like any other traditional DENALI Light Pod. Included with each D7-Pod is a 2-into-1 (e) Wiring Adapter which allows all of the LED's to operate together using any of the standard single circuit DENALI harnesses.

Snapping on the X-Lens™ will allow the light to switch from a spot beam to a hybrid by adding diffusion to the center row.

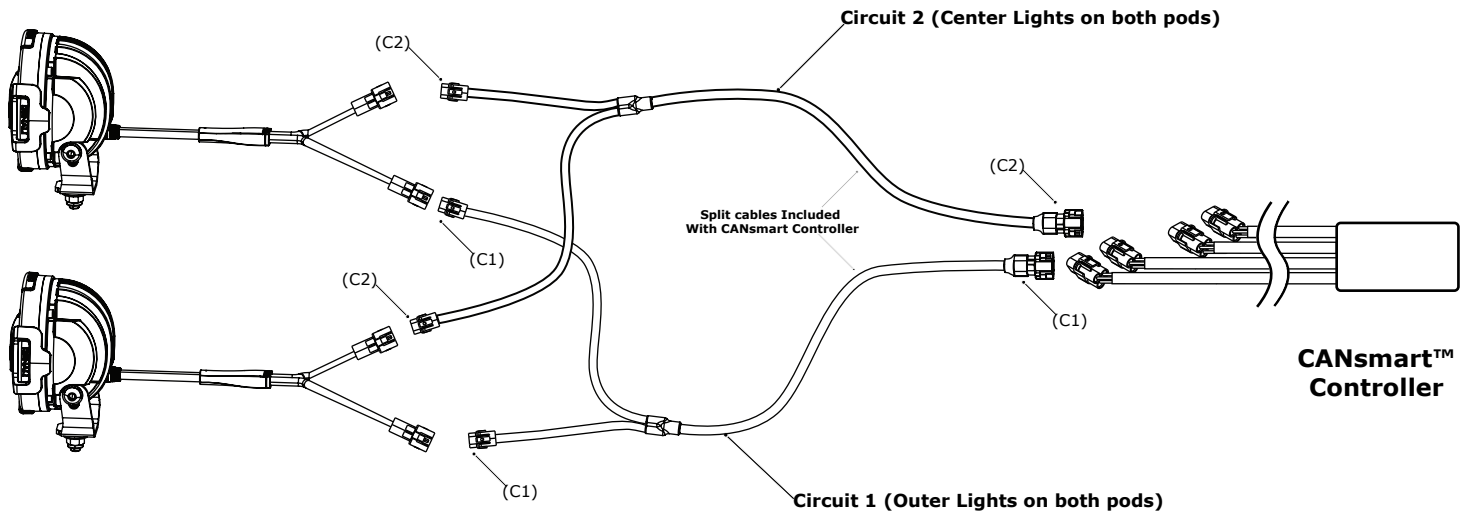
4. Dual Circuit Control



4.1 - DialDim Wiring

Note: The DENALI D7-Pro has multi-circuit functionality built into the pod where each pod can operate as two separate lights. Using the Plug-&-Play compatibility of the DialDim™ Controller, each of those circuits can be controlled independently or together. The outer spot optics function as light one and the inner flood optics as light 2. The longer cable section out of the back of the pod is circuit 1 (outer Spots) and the shorter section is circuit 2 (inner flood). Refer to your DialDim™ instructions for specific wiring and controller info.

Use the clear X-Lens™ to switch between a spot and hybrid beam performance. Use Amber or Yellow X-Lens™ to switch between colored DRL/Low Beam & White High Beam.



4.2 - Default CANsmart Wiring

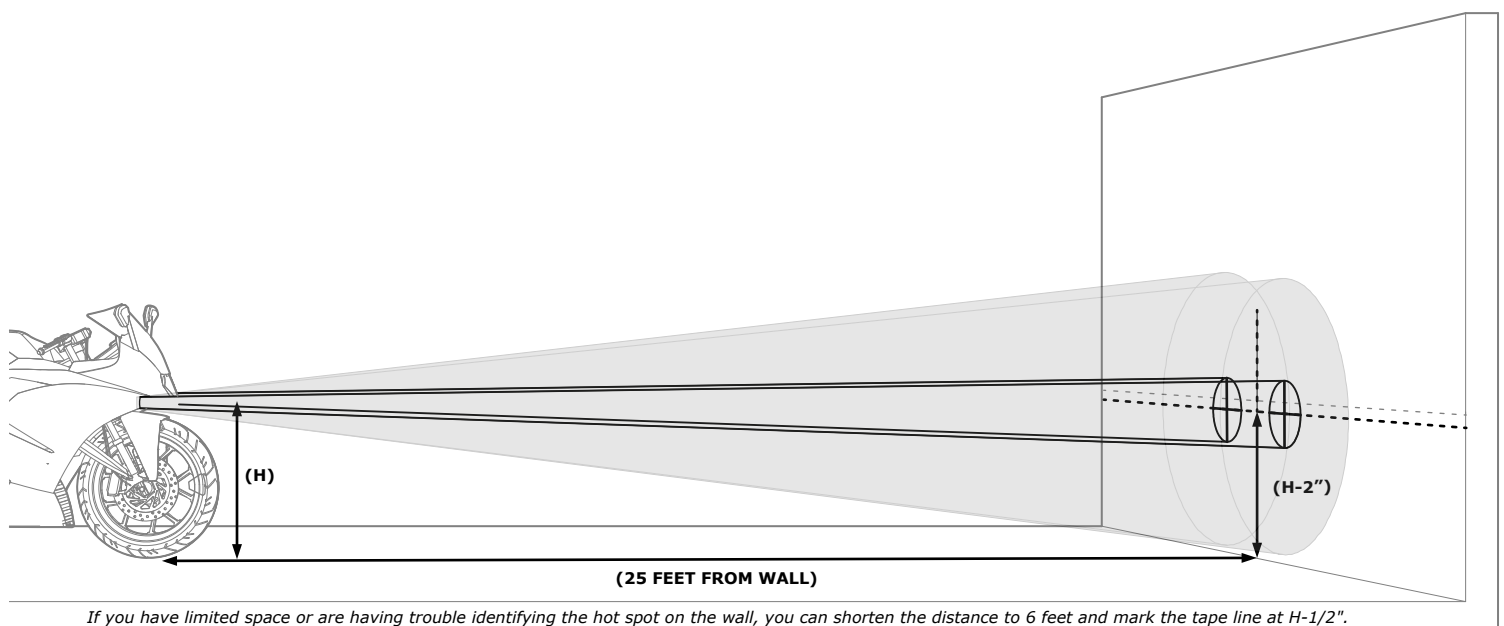
Note: The DENALI D7-Pro has multi-circuit functionality built into the pod where each pod can operate as two separate lights. Using the Plug-&-Play compatibility of the CANsmart™ Controller, each of those circuits can be controlled independently or together. The outer spot optics function as light one and the inner flood optics as light 2. The longer cable section out of the back of the pod is circuit 1 (outer Spots) and the shorter section is circuit 2 (inner flood). Refer to your CANsmart™ instructions for specific wiring and controller info.

Step One: Using the included CANsmart split Y cables, join together both of the circuit 1 cables from each pod and connect them to a single open CANsmart circuit.

Step Two: Join the circuit 2 cables from each pod via the remaining Y split cable to another single open CANsmart circuit.

Note: This is the default wiring set up with the provided cables from the CANsmart controller and will only occupy 2 circuits, additional extensions can be added allowing the user to manage and control all 4 light circuits independently.

Use the clear X-Lens™ to switch between a spot and hybrid beam performance. Use Amber or Yellow X-Lens™ to switch between colored DRL/Low Beam & White High Beam.



If you have limited space or are having trouble identifying the hot spot on the wall, you can shorten the distance to 6 feet and mark the tape line at H-1/2".

5.1 - Suggested Aiming Method

Step One: With someone sitting on the bike and holding it upright on level ground, position the vehicle 25 feet from a flat and vertical wall. Be sure the wall is large enough that both beams can be projected onto the wall. A garage door is a great place to perform this procedure.

Step Two: Measure the distance from the ground to the center of the light pods (H)

Step Three: Using tape, make a horizontal line that is 2 inches lower than the previous measurement from the ground to the center of the lights (H-2").

Step Four: Loosen the mounting and hinge bolts then aim each light so that the center of the hot spot aligns with the tape line on the wall. The lights should be aimed equidistant left and right from center line of the vehicle.

Step Five: Once final adjustments are made to the lights, tighten the mounting and hinge bolts.

Congratulations! The DENALI LED Light Kit has been successfully installed! Enjoy!